
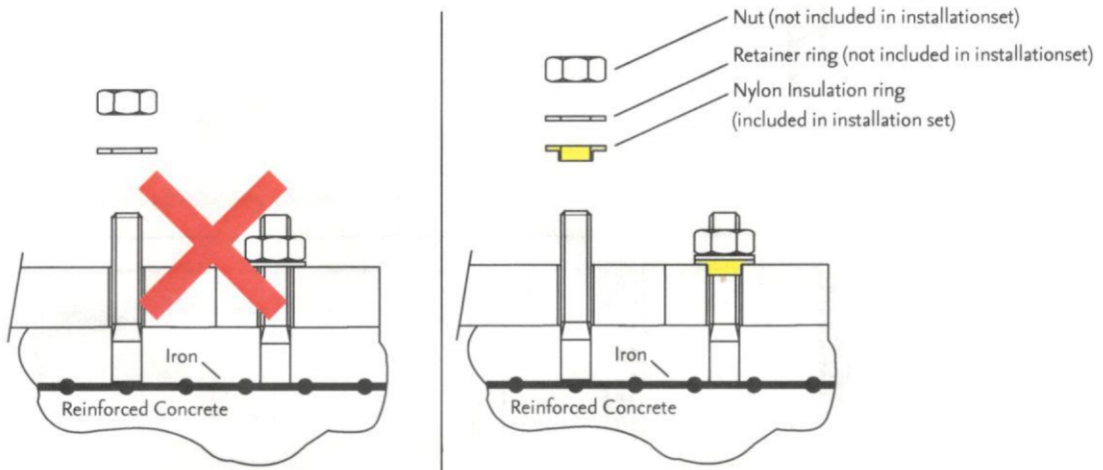


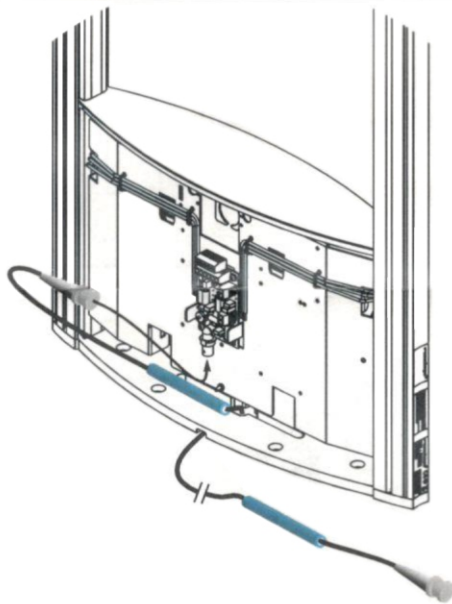
| | |
|---|--------------------------|
|  retail GROENLO - HOLLAND | DRW: CB 2013/07/16 |
| | CHK: |
| DESCRIPTION: QUICK REF FL45 - FL45N | DOC. ARTICLE NO: 5277370 |
| | REV.: B.01 |
| Copyright © by N.V. Nederlandsche Apparatenfabriek NEDAP. No part of this drawing may be reproduced or distributed in any form or by any means, or stored in a data base or retrieval system without the prior written permission of NEDAP. | SHEET: 45.01 OF 1 |
| | DRAWING: T1074-951 |

05

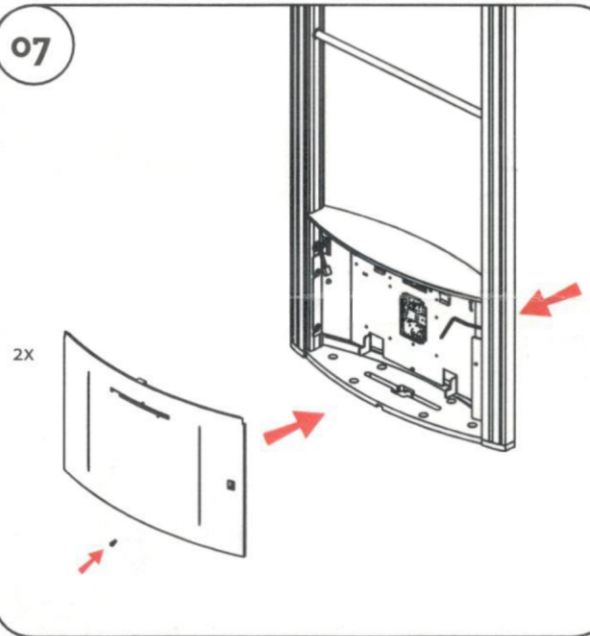


Always mount an antenna insulated to the floor or wall

06



07



FL-antenna

